



# Telog HPR-32A

## WIRELESS, BATTERY-POWERED HYDRANT PRESSURE MONITORING

### PRESSURE MONITORING AND MANAGEMENT MADE SIMPLE

The Telog HPR-32A is an ideal pressure monitoring solution for pressure concerns, fire flow testing and hydraulic model calibration.

Trimble Unity software combined with Telog wireless hydrant pressure recorders provide a GIS-centric cloud and mobile platform for monitoring system pressures, and trends, min, max and average pressure history at any user defined interval. Telog hydrant pressure recorders can store data internally for many months and wirelessly transmit on a defined schedule to provide alerts and alarms in response to pressure faults, delivering a complete solution for proactive pressure and leakage monitoring and management.

#### Wireless Communication

The power of every 32 series recorder from Trimble Telog is wireless data transfer capability. Using cellular technology enables unmanned monitoring of remote sites as well as instant updates and alarm notifications. The iLR-32A uses a low power, LTE/Cat 1 cellular communication modem certified on Verizon Wireless.

#### Battery Power

All Trimble Telog hydrant pressure recorders have low power requirements so they can be battery operated. The HPR-32A series uses a BP-4 lithium battery pack. At one call per day the battery will last up to five years.

#### Packaging and Installation

Every hydrant pressure recorder from Trimble Telog is a low-profile, rugged unit that is easily installed by one person on a standard 2.5 inch hose nozzle outlet. For ease of mind an optional security cover can be used to prevent vandalism. Once installed, data is immediately available using Telogers for Windows or Telog Enterprise software.

#### Software Support

The Trimble Telog HPR-32A is compatible with all Trimble software applications, including Trimble Unity, Telog Online (cloud), Telog Enterprise and Telogers for Windows application software. This ensures that utilities have a complete solution addressing all their remote monitoring needs across their operations, delivered in a manner that suits each individual utility's operations and IT needs.

### Applications

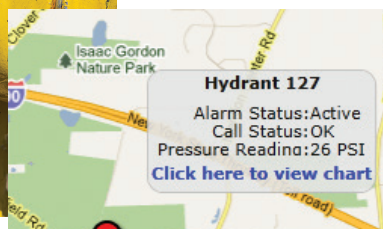
- ▶ Customer pressure complaint investigation
- ▶ Pressure loss testing
- ▶ System pressure monitoring
- ▶ Calibrating hydraulic models
- ▶ Fire flow testing
- ▶ Hydrant capacity testing
- ▶ Sampling to 4 samples/second

### Benefits

- ▶ Reduce non-revenue water leakage and water main bursts
- ▶ Improve customer service and response time
- ▶ Monitor and optimize water supply and operations
- ▶ Real-time situational awareness on water pressure and supply

### Features

- ▶ Wireless communication via cellular (LTE)
- ▶ Alarm notification
- ▶ Time stamped events
- ▶ Integral antenna
- ▶ 5 year battery life



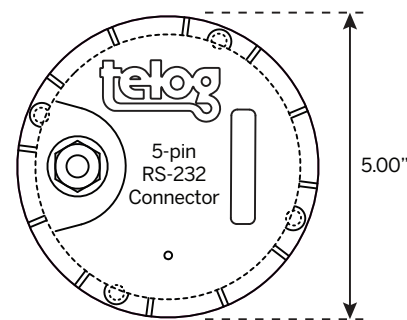
View exact location of your hydrant pressure recorders on a map

# Telog HPR-32A SPECIFICATIONS

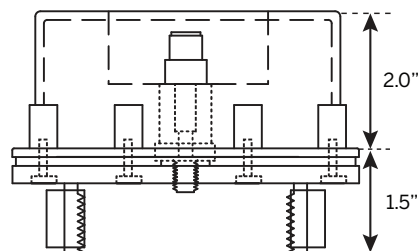
## RECORDER MODEL: Telog HPR-32A

<b>Type</b>	Strain gauge, isolated pressure sensor with wireless
Range (psi)	100, 200, 300 (contact Telog for other ranges)
Over pressure (psi)	300, 600, 600
Burst pressure (psi)	850, 1000, 1000
Resolution	0.025% of full scale, 12-bit
Accuracy	±0.25% of full scale at constant temperature
Temperature effect	±0.015% of full scale per °F
<b>Recording</b>	
Sample rate	Programmable from 4/sec up to 8 hours
Data interval	Programmable from 1/sec up to 8 hours
Values saved	Selectable min, avg & max per interval
Memory	~82,000 data values
<b>Communication</b>	
Local RS-232	5 pin circular connector rated IP67 Auto-selected baud rate to 19.2 kbaud
Cellular	Internal Telog WM2/L1 cellular modem LTE Category 1 certified Verizon Wireless
Local Bluetooth BLE 4.1	Bluetooth low energy max range is 20 feet in open field line of site.
<b>Battery</b>	Factory installed, field replaceable Telog BP-4 lithium battery pack
Battery Life	Up to 2800 data calls to host computer
Examples:	
	5 years with Daily Data Transfers, 4 Samples per second (HPR-32A and HPR-32Ai)
	2 years with Daily Data Transfers, 128 Samples per second (HPR-32Ai)
	1 year with Daily Data Transfers, 256 Samples per second (HPR-32Ai) (@ medium to excellent signal strength)
<b>Memory</b>	82,000 Data Values
<b>Support Software</b>	
S-3PC	Telogers for Windows® 6.51 or later
S-3EP	Telog® Enterprise 6.51 or later
DHS-Service	Telog Online
TW-UNITY	Trimble Unity
<b>Environmental</b>	
Temperature	
Operating	40° to 150°F [4° to 66°C]
Storage	-40° to 150°F [-40° to 66°C]
NOTE: For applications below this operating range please contact your Trimble Telog support team.	
Humidity	0-100% relative humidity
Enclosure	NEMA 4x/IEC IP65
Size	5" diameter x 3.5"
Thread*	Hydrant mount: 2.50" NHT standard, Contact Telog for non standard thread
(see side view)	Internal mount: 1/4" NPT
Security Cover	High impact nylon security cover. Choose from gray, red or yellow to best match hydrant color. Lockout hasps included.

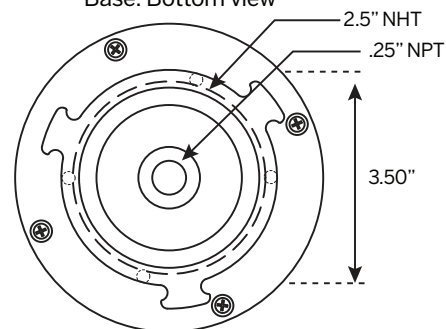
Cover: Top view



Side view



Base: Bottom view



High impact nylon security cover prevents vandalism. Security cover color options are yellow, red or gray.



© 2018, Telog, A Trimble Company. Telog® is a registered trademark and Telogers™ is a trademark of Telog, A Trimble Company. Trimble® is a registered trademark of Trimble, Inc. This product covered by U.S. Pat. No. 7,219,553 and 7,357,034. Windows® is a registered trademark of Microsoft Corporation. Verizon Wireless™ is a trademark of Verizon Trademark Services. Specifications within this brochure are subject to change without notification. (11/2018)



**U.S.A : TRIMBLE NAVIGATION LIMITED**  
3501 Jamboree Road  
Irvine, California 92660  
+1 (949) 892-6120

**TELOG (ROCHESTER OFFICE), NEW YORK, USA**  
830 Canning Parkway  
Victor, New York 14564  
+1 888-835-6437

**R.O.W : TRIMBLE NAVIGATION LIMITED**  
NSC Campus, Mahon,  
Cork Ireland  
+353 21 230 9328

TrimbleWater\_ContactUs@trimble.com  
www.trimblewater.com

