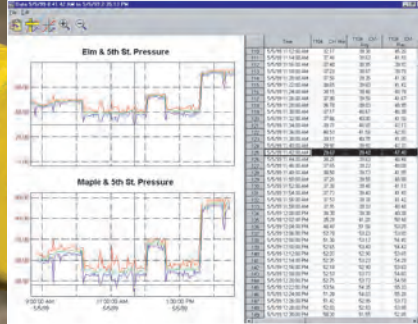
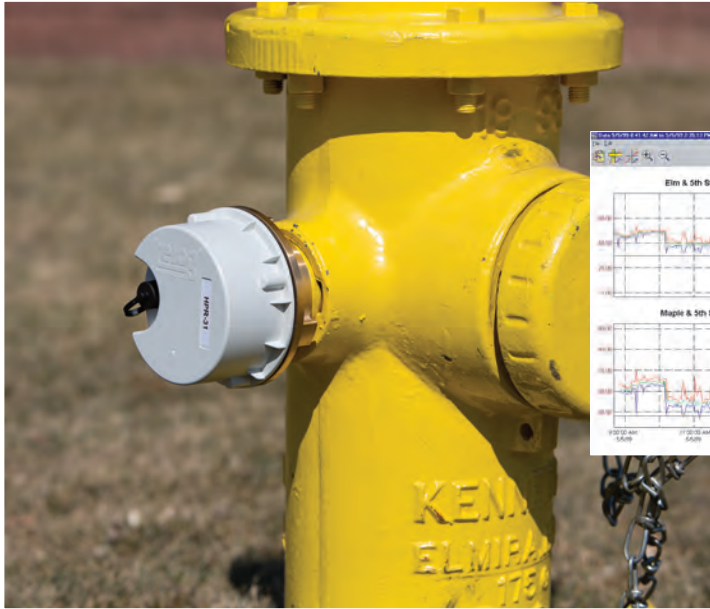


HPR-31 Hydrant Pressure Recorder

Paperless Pressure Recording, No More Chart Recorders



Data from two HPR-31 units monitoring at different hydrants in the same distribution system.



Download to laptop or Palm data transfer unit



Security cover

Telog's Hydrant Pressure Recorder, the HPR-31, monitors water pressure within any water distribution system. The HPR-31 replaces costly, high maintenance chart recorders in applications such as:

- Fire flow testing
- Pressure loss tests
- Investigating pressure complaints
- Routine pressure monitoring
- Hydrant capacity testing
- Calibrating hydraulic models
- Water hammer surge analysis

The simplicity of the compact, battery-powered HPR-31 enables you to put it to work within minutes of unpacking. The HPR-31 attaches onto the 2.5 inch hose nozzle outlet of a common fire hydrant. The rugged enclosure is low profile and an optional security cover is available from Telog.

Once installed, the HPR-31 measures water pressure at user programmable rates up to four samples per second with its internal pressure transducer. You can determine how often such data is summarized for reporting. The recorder computes any combination of minimum, average and maximum pressure measurement at each interval according to your selection of statistics and recording intervals.

Recorded data may be gathered via an RS-232 connector using a hand-held DTU (Data Transfer Unit) or a laptop. The DTU is especially convenient for gathering data from several hydrant pressure recorders. At times when on-site data evaluation is required, a laptop and Telogers for Windows software, is all you need.

For more information on this product or other Telog data recording products, call us at **585.742.3000**, email **TelogSales@telog.com**, or visit us at **www.telog.com**.



Replaces Chart Recorders

Easy Data Collection

Decreased Maintenance Costs

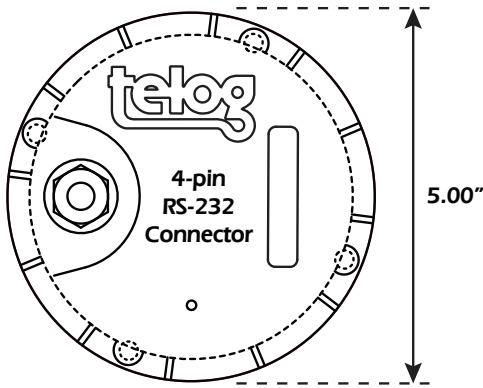
Five Year Battery Life

Low Profile Results in Decreased Vandalism

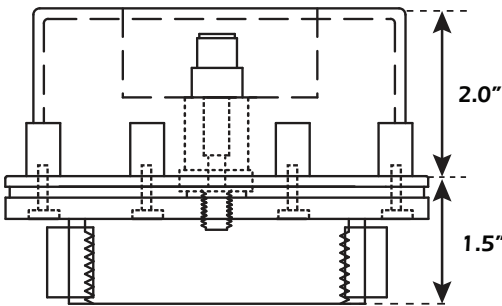
Windows® Software Support

HPR-31 Specifications

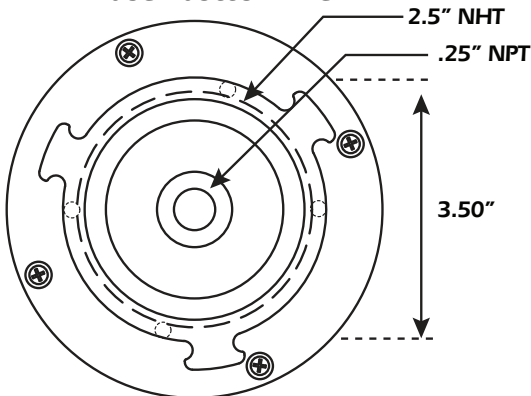
Cover: top view



side view



Base: bottom view



Telog Instruments, Inc.

830 Canning Parkway, Victor, NY 14564-8940, USA
 Phone: 585.742.3000 • Fax: 585.742.3006
 E-mail: TelogSales@telog.com • www.telog.com

Specifications within this brochure are subject to change without notification.

Telog® is a registered trademark and Telogers™ is a trademark of Telog Instruments, Inc.
 Windows® is a registered trademark of Microsoft Corporation.
 Palm® is a registered trademark of Palm, Inc.

Input

Type	Strain gauge, isolated pressure sensor
Range (psi)	100, 200, 300 (contact Telog for other ranges)
Over pressure (psi)	300, 600, 600
Burst pressure (psi)	850, 1000, 1000
Resolution	0.025% of full scale, 12-bit
Accuracy	±0.25% of full scale at constant temperature
Temperature effect	±0.015% of full scale per °F

Recording

Sample rate	Programmable from 4/sec up to 8 hours
Data interval	Programmable from 1/sec up to 8 hours
Values saved	Selectable min, avg & max per interval
Memory	128 Kbytes (~80,000 data values)

Interface

Type	RS-232; 300 to 19.2 kbaud
Connector	Circular 4 pin watertight

Battery

Type	Single AA Lithium (Saft LS 14500 or equal)
Life	5 years typical

Support Software

S-3PC	Telogers for Windows
S-3PCL	Telogers for Windows Lite
Data Transfer Unit	IP-67 rated PDA running Palm OS and Telog application program

Environmental and Mechanical

Temperature	
Operating	14° to 150°F
Storage	-40° to 150°F
Humidity	0-100% relative humidity
Enclosure	NEMA 4x/IEC IP65
Size	5" diameter x 3.5"
Thread*	Hydrant mount: 2.50" NHT standard, Contact Telog for non standard thread
(see side view)	Internal mount: 1/4" NPT
Security Cover	High impact nylon security cover. Choose from red, yellow or gray to best match hydrant color. Lockout hasps included.



Security Cover Color Options